

vänEE G2400H ECM

Part no. G2400HE

50 to 226 CFM (0.4 in. w.g.)



VB0233

THE PEAK OF FRESH AIR IS HERE

vänEE introduces its Gold Series which surpasses industry standards by bringing together the best performance and the best energy efficiency. Its high airflow, high heat recovery, low power consumption and superior filtration make it one of the most efficient and sophisticated platforms.

The G2400H ECM is the perfect solution for mid to large size homes in need for the most energy-efficient ventilation solution. It is also possible to use it in some light commercial applications due to its high fresh air supply.

- Up to 226 CFM at 0.4 in. w.g.
- High efficiency heat recovery core with a sensible recovery efficiency of 81% at 0°C (32°F) and 73% at -25°C (-13°F)
- ECM* motors
- Minimal power consumption of 19W and 3.4 CFM/Watt at 64 CFM
- Merv 6 grade filters and optional HEPA filtration
- Electronic balancing and no balancing dampers
- Included wall mounting bracket

*Electronically Commutated Motor

REPAIRS AND MAINTENANCE

The G2400H ECM high output ECM motors are permanently lubricated. The electronic circuit board eliminates electromechanical parts, reducing repair time to a minimum.

WARRANTY

The G2400H ECM is protected by a 5-year warranty on parts only, except for the heat recovery core, which is covered by a limited lifetime warranty, with the original proof of purchase.

Available at:

HEAT RECOVERY VENTILATOR

Controls

The exclusive Gold-Touch wall control is the only compatible wall control with the new Gold Series. At installation, the inside control panel features electronic balancing and no balancing dampers. The balancing is performed with the help of the Gold-Touch wall control.

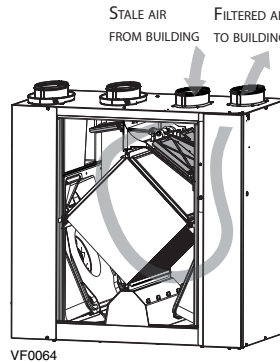
For more details about the control, refer to the User Guide - Main and auxiliary wall controls available at www.vanee.ca.

Options

HEPA Filter 21996

Additional 0.3 in.w.g. static pressure at highest speed to be considered. Refer to the HEPA filter instructions for more details.

Homeshield™ Defrosting System



The G2400H ECM uses a unique defrosting method. No negative pressure is created by air exhausted to the outside, as the air is recirculated into the house or building, helping to prevent any backdraft.

With the help of the Gold-Touch wall control, this unit allows 3 defrost modes:

- Standard (factory set regular mode)
- Plus (extended defrost for colder areas)
- Discretion (keeps the same speed when performing defrost as performing ventilation)

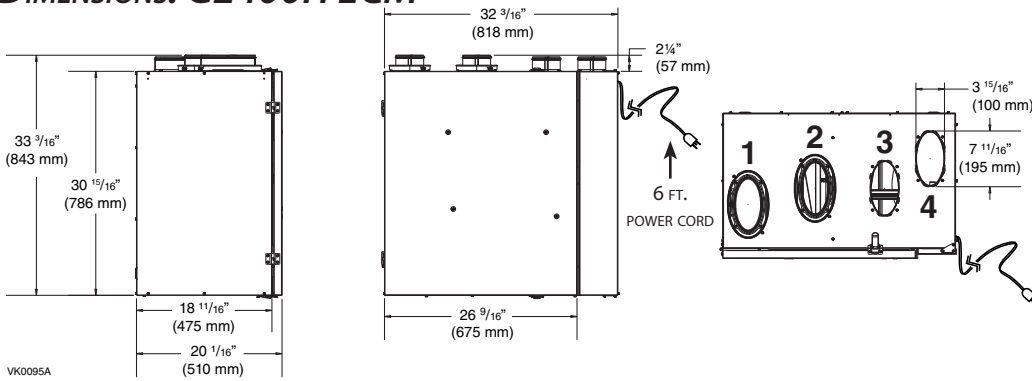
OUTDOOR TEMPERATURE*		DEFROST IN MINUTES / AIR EXCHANGE IN MINUTES					
		STANDARD		DISCRETION		PLUS	
°C	°F	CONTINUOUS MODE	TURBO FUNCTION	CONTINUOUS MODE	TURBO FUNCTION	CONTINUOUS MODE	TURBO FUNCTION
-27 and less	-17 and less	8/20	8/15	15/20	15/17	12/15	12/12
-20 to -27	-4 to -17	6/28	6/23	12/28	12/23	10/20	10/15
-15 to -20	5 to -4	6/35	6/32	12/35	12/30	8/25	8/20
-10 to -15	14 to 5	6/40	6/35	12/40	12/35	8/30	8/25
-5 to -10	23 to 14	6/50	6/45	12/50	12/45	8/40	8/30
WARMER THAN -5	WARMER THAN 23	No DEFROST					

*Outdoor temperature is read by a thermistor located inside the unit, next to fresh air from outdoor port.

Requirements and standards

- Complies with the CSA C22.2 no. 113 Standard applicable to ventilators
- Complies with CSA F326 requirements regulating the installation of Heat Recovery Ventilators
- Technical data was obtained from published results of tests relating to CSA C439 Standards
- HVI certified and ENERGY STAR® qualified

DIMENSIONS: G2400H ECM



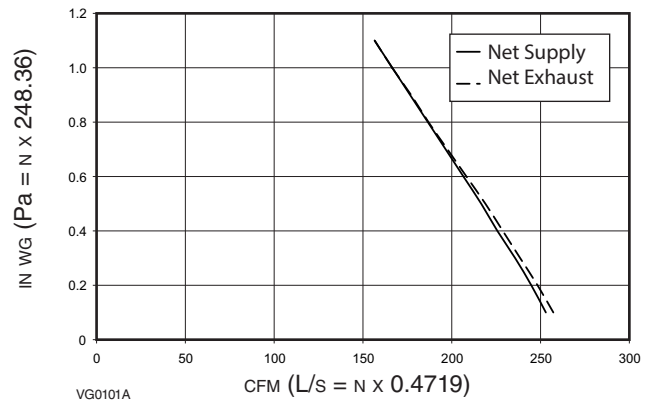
NOTE: ALL UNITS PORTS WERE CREATED TO BE CONNECTED TO DUCTS HAVING A MINIMUM OF 6" DIAMETER, BUT IF NEED BE, THEY CAN BE CONNECTED TO BIGGER SIZED DUCTS BY USING AN APPROPRIATE TRANSITION (E.G.: 6" DIAMETER TO 7" DIAMETER TRANSITION).

- 1: EXHAUST AIR TO OUTSIDE PORT
- 2: FRESH AIR FROM OUTSIDE PORT
- 3: EXHAUST AIR FROM BUILDING PORT
- 4: FRESH AIR TO BUILDING PORT

VENTILATION PERFORMANCE

EXTERNAL STATIC PRESSURE	NET SUPPLY AIR FLOW			GROSS AIR FLOW						
				SUPPLY			EXHAUST			
Pa	IN. W.G.	L/S	CFM	M ³ /H	L/S	CFM	M ³ /H	L/S	CFM	M ³ /H
25	0.1	119	252	430	120	254	433	121	256	437
50	0.2	116	246	416	116	246	418	117	248	421
75	0.3	111	235	401	112	237	403	113	239	406
100	0.4	107	227	384	107	227	387	108	229	389
125	0.5	102	216	369	103	218	369	103	218	372
150	0.6	97	206	352	98	208	352	98	208	353
175	0.7	93	197	335	93	197	335	93	197	336
200	0.8	88	186	318	88	186	318	88	186	318
225	0.9	83	176	301	84	178	301	84	178	301
250	1.0	79	167	284	79	167	284	79	167	282
275	1.1	74	157	267	74	157	267	74	157	267

FAN CURVE ACCORDING TO SPEED



FULLY ADJUSTABLE SPEED RANGE FROM 50 CFM TO MAXIMUM SPEED.

ENERGY PERFORMANCE

SUPPLY TEMPERATURE		NET AIR FLOW			POWER CONSUMED WATTS	SENSIBLE RECOVERY EFFICIENCY	ADJUSTED SENSIBLE RECOVERY EFFICIENCY	APPARENT SENSIBLE EFFECTIVENESS*	LATENT RECOVERY/MOISTURE TRANSFER
°C	°F	L/S	CFM	M ³ /H					
HEATING									
0	32	30	64	109	19	81	82	85	0
0	32	47	100	170	28	75	77	80	0
0	32	66	140	238	47	70	72	75	0
-25	-13	30	64	109	32	73	74	88	0
-25	-13	46	97	167	45	68	69	83	0

*Data not certified by HVI.

NOTE: All specifications are subject to change without notice.

SPECIFICATIONS

- Model: G2400H ECM
- Part Number: G2400HE
- Total Assembled Weight (including polypropylene core): 94 lb. (43 kg)
- Oval shaped ports; fit 6" round ducts
- Drains: 1/2" (1.2 cm) fittings with 10 ft. (3m) PVC drain
- Core Filters: 2 washable Merv 6 filters
- Housing: Pre-painted steel
- Optional HEPA Filter
- Insulation: Expanded polystyrene
- Mounting: Suspension by chains and springs or wall bracket system
- Supply and Exhaust Blower Motors:
 - Two ECM motors
 - Protection type: Thermally protected
- Gold-Touch wall control offering 5 manual modes: Recirculation, 20 MIN/H, Continuous Smart and Turbo
- Heat Recovery Core:
 - Dimensions: 12" x 12" x 16.6" (30.5 cm x 30.5 cm x 42.2 cm)
 - Exchange surface: 175 ft.² (16.3 m²)
 - Weight: 12 lb. (5.5 kg)
 - Type: Crossflow
 - Material: Polypropylene
 - Warranty: Limited lifetime
- Unit Electrical Characteristics:

Volts	Frequency	Amperes	Watts
120	60 Hz	2.2	135

Project:	REMARKS
Location:	
Part no.: G2400HE	
Qty.:	
Submitted by: _____ Date: _____	



Venmar Ventilation ULC, 550 Lemire Blvd., Drummondville, Québec, Canada J2C 7W9 vaneer.ca 800 567-3855



G2400HECMd2203