

## HRV 60H

Part no. 41602 (TOP PORTS)

Part no. 41600 (SIDE PORTS)

39 to 98 CFM (0.4 in. w.g.)



VB0072

### AN INGENIOUS AIR EXCHANGE SOLUTION THAT'S AS VERSATILE AS IT IS COMPACT!

Configured with factory built vertical or horizontal ports, the vanEE HRV 60H is the most versatile 98-cfm unit available on the market today. Among its exclusive features, this unit is equipped with integrated balancing and backdraft dampers in its exhaust to outside and fresh air supply ports. For a standard installation, there is no need to balance the unit\*, thanks also to its twin high-pressure blowers. Its operation can be interlocked with an existing furnace without adding an extra relay. Also, for more convenience, its latches can be relocated on its front (as shown on picture above). This compact, lightweight, and powerful unit is the ideal choice for small pre-fab and tract houses, condos, apartments and other limited space applications. What's more, it is the only air exchanger of its size that can be upgraded from an HRV to an ERV, simply by changing its core.

\*To avoid balancing, the difference between stale air ducts total length and fresh air ducts total length must not exceed 50 ft.

- 20% smaller than comparable 98-cfm units
- Versatile horizontal or vertical port configuration
- Removable terminal block to ease optional wall control connections
- Integrated pressure taps, if balancing required by building code
- ENERGY STAR® qualified

### REPAIRS AND MAINTENANCE

All parts of the vanEE HRV 60H that could need maintenance can be removed in less than five minutes, allowing direct access for easy repairs. The PSC motors are permanently lubricated. Finally, the removable electrical drawer with pull-out PCB assembly allows easy access for maintenance of major sub-components.

### WARRANTY

The vanEE HRV 60H is protected by a 2-year warranty on parts only. The heat recovery core is covered by a limited lifetime warranty.

Available at:

## HEAT RECOVERY VENTILATOR

### Controls

- This unit is very simple to operate: once it is installed, press on its push button, located on the bottom of the unit, to activate it. Press once for low speed, once again for high speed, and once more to stop it.
- Our main control Platinum (no. 40460) allows you to manage your ventilation with a programmable mode. This control also features our fully automated optimizer mode called the Smart mode.
- The following main controls are also available:
  - Bronze no. 40250
  - Lite-Touch Bronze no. 40270
  - Simple-Touch Bronze no. 40290
- Also, up to 5 of the following optional auxiliary controls can be added:
  - 20-min. lighted push button no. 1806110
  - 60-min. mechanical timer no. 00910

### Options

- Complete line of registers and diffusers
- Electric duct heater
- Dual exterior hood kit (including the Tandem® transition), part no. 14690

### Homeshield™ Defrosting System

The vanEE HRV 60H uses a unique defrosting method. No negative pressure is created by air exhausted to the outside, as the air is recirculated into the house, helping to prevent any backdraft.

	OUTSIDE TEMPERATURE		DEFROST CYCLE DEFROSTING MIN./ OPERATING MIN.
	°C	°F	
STALE AIR FROM BUILDING	WARMER THAN -5	WARMER THAN 23	NO DEFROST
FILTERED AIR FROM BUILDING	-5 TO -27	23 TO -17	8/25
	-27 & LESS	-17 & LESS	10/22

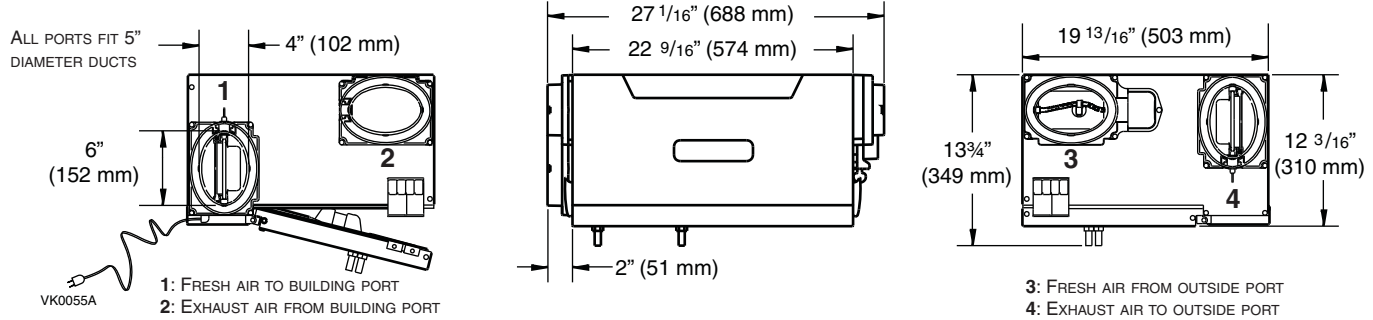
### Heat Recovery Core

Dimensions: 13" x 19" x 6 7/8" (33 cm x 48.3 cm x 17.3 cm)  
 Exchange surface: 55 ft<sup>2</sup> (5.1 m<sup>2</sup>)  
 Weight: 3.75 lb (1.7 kg)  
 Material: Polypropylene  
 Type: Crossflow core  
 Warranty: Limited Lifetime

### Requirements and Standards

- Complies with the UL 1812 requirements regulating the installation of Heat Recovery Ventilators
- Complies with the CSA C22.2 no. 113 Standard applicable to ventilators
- Complies with CSA C444 requirements regulating the installation of Heat Recovery Ventilators
- Technical data was obtained from published results of tests relating to CSA C439 Standards
- HVI certified and ENERGY STAR® qualified

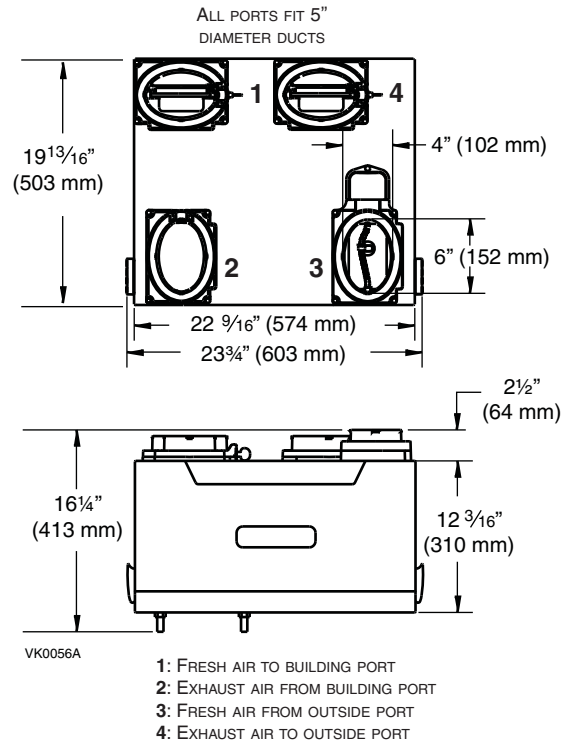
## Dimensions and Service Clearances: vänEE HRV 60H (side ports)



## Ventilation Performance

EXT. STATIC PRESSURE	NET SUPPLY AIR FLOW			GROSS AIR FLOW						
				SUPPLY			EXHAUST			
PA	IN. W.G.	L/S	CFM	M <sup>3</sup> /H	L/S	CFM	M <sup>3</sup> /H	L/S	CFM	M <sup>3</sup> /H
25	0.1	53	111	191	53	112	190	57	120	204
50	0.2	51	107	184	51	108	184	54	114	194
75	0.3	48	101	172	48	102	173	52	110	187
100	0.4	46	98	167	47	99	168	49	105	178
125	0.5	43	91	155	43	92	156	47	100	170
150	0.6	41	88	148	42	88	151	45	96	163
175	0.7	39	82	139	39	83	141	43	91	155
200	0.8	37	79	134	38	80	136	40	85	144
225	0.9	34	73	124	35	74	126	37	79	134
250	1.0	34	71	121	34	72	122	36	76	129

## vänEE HRV 60H (ports on top)



## Energy Performance

SUPPLY TEMPERATURE	NET AIR FLOW			POWER CONSUMED	SENSIBLE RECOVERY EFFICIENCY	APPARENT SENSIBLE EFFECTIVENESS	LATENT/RECOVERY MOISTURE TRANSFER	
								°C
HEATING								
0	32	18	39	66	37	66	76	0.01
0	32	23	50	85	44	65	74	0.01
0	32	30	64	109	53	62	70	0.01
0	32	39	83	141	67	59	66	0.01
-25	-13	23	48	82	56	57	78	0.01
-25	-13	33	69	117	64	55	72	0
COOLING								
TOTAL RECOVERY EFFICIENCY								
NOT TESTED								

NOTE: All specifications are subject to change without notice.

## Specifications and Ratings

- Model: HRV 60H
- Top ports unit: Part Number 41602
- Side ports unit: Part Number 41600
- Total Assembled Weight (including polypropylene core): 42 lb (19 kg)
- Oval shaped ports; fit 5" ducts
- Drains: 1/2" (1.2 cm) fittings with 10 ft (3 m) PVC drain
- Core filters: 30 ppi washable foam - 10.5" x 6.75" x 0.5" (26.7 x 17.2 x 1.3 cm)
- Cabinet: Pre-painted steel
- Insulation: Expanded polystyrene
- Mounting: Suspension by chains and springs
- Supply & Exhaust Blower Motors: 2 motors
  - Protection type: Thermally protected
  - Insulation class: B
- Unit Speed Control: Low and High Other modes available with main and optional wall controls.
- Heat Recovery Core:
  - Heat Exchange Surface Area: 55 ft<sup>2</sup> (5.1 m<sup>2</sup>)
  - Type/Material: Crossflow/Polypropylene
- Unit Electrical Characteristics:
 

Volts	Frequency	Ampere	Watts
120	60 Hz	0.85	100

PROJECT:	REMARKS
LOCATION:	
MODEL NO.:	
QTY.:	
SUBMITTED BY:	DATE:



550 Lemire Blvd., Drummondville, QC, Canada J2C 7W9 - Tel.: 1-800-567-3855 Fax: 1-800-567-1715



www.vanee-ventilation.com

11/01 PRODUCT SHEET NO. 91049