

HEAT RECOVERY VENTILATOR AND ENERGY RECOVERY VENTILATOR

Venmar Model 6LC and vänEE model V6LC

560 to 690 CFM (0.4 in. w.g.)



FOR LIGHT COMMERCIAL APPLICATIONS

High CFM ventilation for small business owners concerned about indoor air quality (excess moisture, smoke, odors and cleanliness).

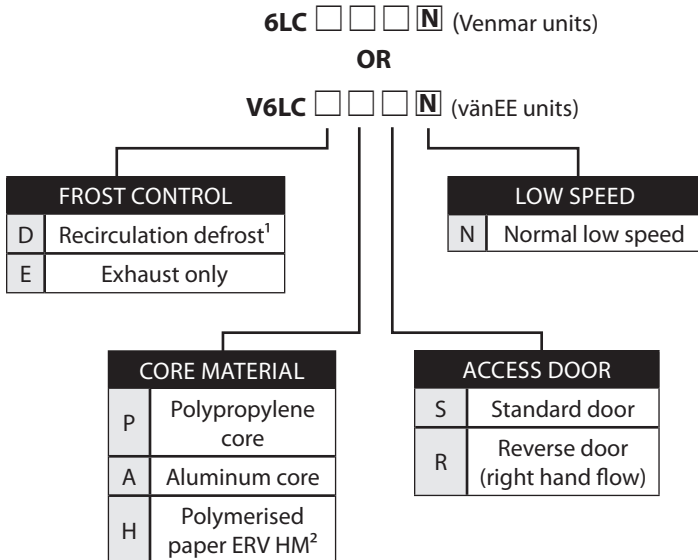
Suitable for installation above a suspended ceiling, mechanical room or suspended from a ceiling, this model delivers year-round comfort and sensible heat recovery with virtually no cross leakage. On this unit, the heat exchange efficiency can reach up to 66%.

- Only 24.5" high for false ceiling installation
- Defrost system
- Two-speed control
- Low voltage remote switch

REPAIRS AND MAINTENANCE

All parts of the 6LC and V6LC, such as the large access door and the entire motor sub-assembly, can be removed for ease of maintenance. Furthermore, the electronic circuit board reduces electro-mechanical parts, minimizing repair time.

ORDERING EXAMPLE



¹ When ordered, the recirculation defrost damper module is factory installed.

² Not for all configurations; please contact a sales representative for more details.

Controls

- Built-in electronic circuit board ready to receive one of the following main controls:
 - Venta (Venmar) no. 40310
 - Basic (vänEE) no. 40210

Heat recovery cores/Energy recovery cores

Dimensions: 12" x 12" x 13.125"

Exchange surface: 200 ft²

Weight: HRV Polypropylene: 9.2 lb.; Aluminum: 13.9 lb.
ERV Polymerised paper: 11.2 lb.

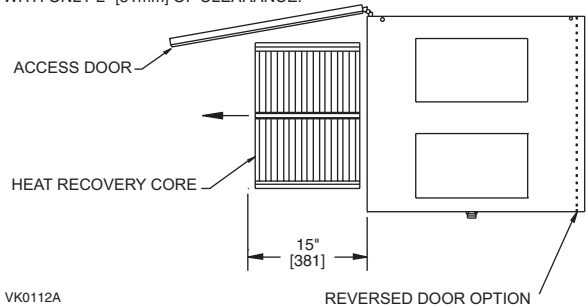
Type: Plate to plate core

Quantity: 2

Material: HRV polypropylene or aluminum
ERV polymerised paper

Warranty: HRV 15 years; ERV 5 years

A MINIMUM OF 15" [381] CLEARANCE FROM ANY OBSTRUCTION IS REQUIRED FOR REMOVAL OF CORES, FANS, ETC. ACCESS DOOR CAN BE REMOVED FROM CABINET WITH ONLY 2" [51mm] OF CLEARANCE.



Option

- Medium efficiency air supply filters

Recirculation or exhaust defrost

OUTDOOR TEMPERATURE		DEFROST CYCLE (IN MINUTES)
°C	°F	DEFROST/OPERATION
WARMER THAN -5	WARMER THAN 23	NO DEFROST
-5 TO -15	23 TO 5	12/60
-15 TO -30	5 TO -21	12/24
-30 & LESS	-21 & LESS	12/12

Requirements and standards

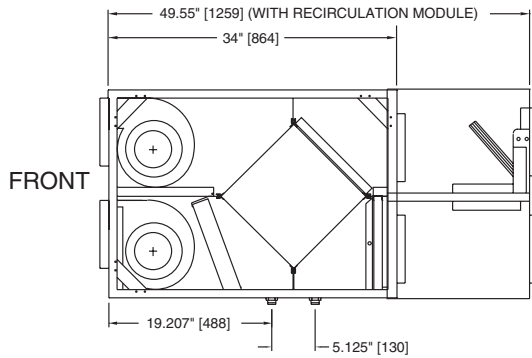
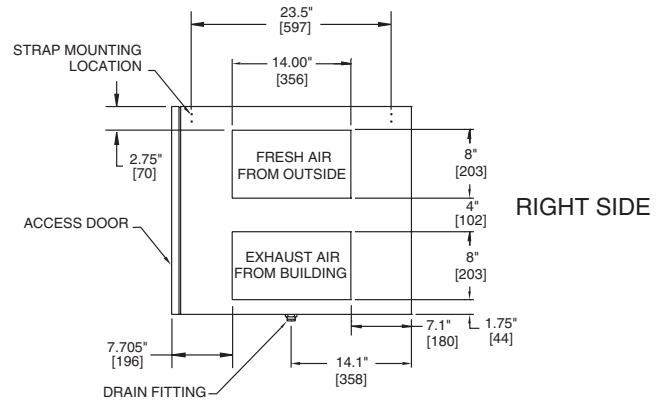
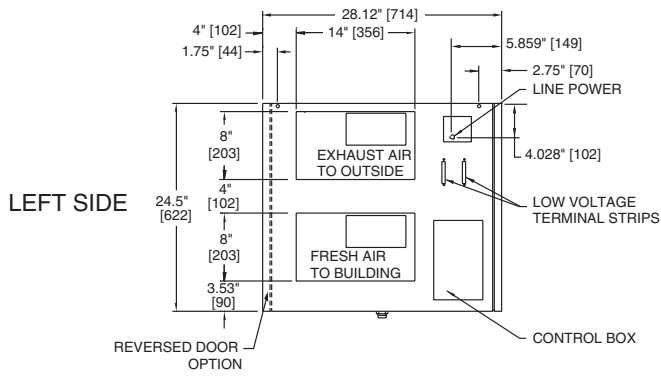
- Complies with the CSA C22.2, no. 113 Standard applicable to ventilators
- Complies with UL Standard 1812 - ducted Heat Recovery or Energy Recovery Ventilators

Warranty

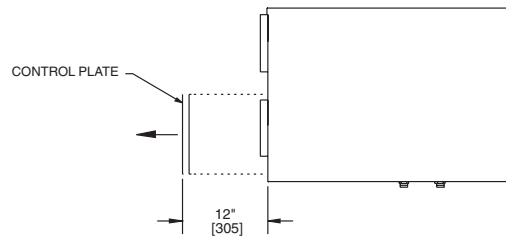
The 6LC and V6LC units are fully protected by a 2-year warranty on parts, the best in the industry; the heat recovery cores are covered by a 15-year warranty; the energy recovery cores are protected by a 5-year warranty.

Available at:

DIMENSIONS AND SERVICE CLEARANCES: 6LC AND V6LC



A MINIMUM OF 12" [305] CLEARANCE FROM ANY OBSTRUCTION IS REQUIRED FOR REMOVAL OF CONTROL BOX.



VK0050A NOTE: FOR UNITS WITH THE REVERSED DOOR OPTION, INTERIOR COMPONENTS WILL APPEAR AS A MIRROR IMAGE OF THE ABOVE DIAGRAM.

NOTE: Dimensions in brackets are in millimeters.

PERFORMANCES

External Static Pressure			HRV and ERV							
			Power Consumed Watt	HRV High		ERV High		Medium		Low
in. w.g.	Pascal	cfm		L/s	cfm	L/s	cfm	L/s	cfm	L/s
0,1	25	778	720	340	716	338	660	311	595	281
0,2	50	774	710	335	701	331	646	305	586	276
0,3	75	765	698	329	683	322	632	298	576	272
0,4	100	750	685	323	664	313	617	291	564	266
0,5	125	730	670	316	642	303	600	283	550	259
0,6	150	706	650	307	618	292	580	274	528	249
0,7	175	676	625	295	590	278	547	258	500	236
0,8	200	641	590	278	550	259	505	238	455	215
0,9	225	600	540	255	495	233	450	212	400	189
1.0	250	555	470	222	400	189				

ENERGY PERFORMANCE

POLYPROPYLENE CORE				EFFECTIVENESS		
SUPPLY TEMPERATURE		NET AIR FLOW		SENSIBLE	LATENT	TOTAL
°F	°C	CFM	L/S			
HEATING						
35	1.7	400	189	57	0	38
35	1.7	300	142	63	0	42
COOLING						
95	35	400	189	55	0	21
95	35	300	142	60	0	23

ALUMINUM CORE				EFFECTIVENESS		
SUPPLY TEMPERATURE		NET AIR FLOW		SENSIBLE	LATENT	TOTAL
°F	°C	CFM	L/S			
HEATING						
35	1.7	400	189	54	0	36
35	1.7	300	142	57	0	38
COOLING						
95	35	400	189	52	0	20
95	35	300	142	56	0	21

POLYMERIZED PAPER CORE (HM)				EFFECTIVENESS		
SUPPLY TEMPERATURE		NET AIR FLOW		SENSIBLE	LATENT	TOTAL
°F	°C	CFM	L/S			
HEATING						
35	1.7	400	189	60	47	56
35	1.7	300	142	65	53	61
COOLING						
95	35	400	189	60	38	46
95	35	300	142	63	45	52

EFFECTIVENESS

UNIT PERFORMANCE, SENSIBLE EFFECTIVENESS				
HEATING SUPPLY TEMPERATURE 35°F / 1.7°C	AIRFLOW (CFM)			
	300	400	500	600
POLYPROPYLENE	69	64	59	55
ALUMINUM	62	59	56	55
POLYMERIZED PAPER (HM)	77	75	73	71

UNIT PERFORMANCE, TOTAL EFFECTIVENESS				
COOLING SUPPLY TEMPERATURE 95°F / 35°C	AIRFLOW (CFM)			
	300	400	500	600
POLYMERIZED PAPER (HM)	49	44	41	39

NOTE: All specifications are subject to change without notice.

ACOUSTIC NOISE POWER CHART (dBA) AT UNIT PORTS

Airflow	Fresh air to building port	Exhaust air from building port
685 CFM at 0.4 in. w.g.	76.9 dBA	61.3 dBA
586 CFM at 0.2 in. w.g.	66.1 dBA	52.5 dBA

The data shown on left chart come from measurement performed according to ISO 5136 Standard. These data represent the sound power directly measured at the fresh air distribution port and exhaust air from building port. To get the actual noise level in the room, consider noise attenuation resulting from total ductwork installation.

SPECIFICATIONS

- Models: 6LC and V6LC
- Total assembled weight:
 - With polypropylene cores: 148 lb.
 - With aluminum cores: 170 lb.
 - With polymerised paper core: 157 lb.
- All duct connections: 8" x 14"
- Drains: 3/4" fittings
- Housing: 20 ga. pre-painted steel
- Filters: 4 reticulated washable foam filters (20 ppi)
2 disposable MERV 8 filters (optional) part no. 63342
- Mounting: Reinforced rubber straps
- Insulation: 3/4" foil faced and 1" acoustic fiberglass wool
- Supply & Exhaust Blower motors:
 - Motor type: PSC motors with sealed: sleeved bearings, 3 speeds (2 available to customer)
 - R.P.M.: 1625 - H.P.: 1/4
 - Fan type: Direct drive centrifugal blower 7 1/8" x 6"
 - Housing: Galvanised steel
- Fan Speed control:
 - Low, medium & high speed
 - 2 speeds available to user
 - Low or medium speed is selected at the time of installation
- Unit electrical characteristics:

Volts	MCA	MOP	Watts
120	9.5	12.0	640

Project:	REMARKS
Location:	
Model no.:	
Quantity:	
Submitted by: _____ Date: _____	

Residential Product Group, 550 Lemire Blvd., Drummondville, Qc, Canada J2C 7W9 - Tel.: 1-800-567-3855 Fax: 1-800-567-1715



6LCd180924