

**vånEE G3000E ECM**

**Part no. G3000EE**

50 to 241 CFM (0.4 in. w.g.)



VB0233

**THE PEAK OF FRESH AIR IS HERE**

The whole home ventilation system is a centerpiece of today's energy-efficient homes. vånEE introduces its new Gold Series that combines the best performance with the best energy efficiency to provide fresher, purer air in your home at a lower overall operating cost. That's Pure Efficiency.

The G3000E ECM is the perfect solution for mid to large size homes in need for the most energy-efficient ventilation solution.

- Up to 241 CFM at 0.4 in. w.g.
- High efficiency energy recovery core with a sensible recovery efficiency of 75% at 0°C (32°F) and 65% at -25°C (-13°F)
- German-made ECM\* motors
- Minimal power consumption of 18W and 3.6 CFM/Watt at 64 CFM
- Merv 6 grade filters and optional HEPA filtration
- Electronic balancing and no balancing dampers

\*Electronically Commutated Motor.

**REPAIRS AND MAINTENANCE**

The G3000E ECM high output ECM motors are permanently lubricated. The electronic circuit board eliminates electromechanical parts, reducing repair time to a minimum.

**WARRANTY**

The G3000E ECM is protected by a 5-year warranty on parts only, except for the energy recovery core, which is covered by a 10-year warranty, with the original proof of purchase.

Available at:



**ENERGY RECOVERY VENTILATOR**

**Controls**

The exclusive Gold-Touch wall control is the only compatible wall control with the new Gold Series. At installation, balance the unit with the help of the Gold-Touch main control to perform electronic balancing, without balancing dampers!

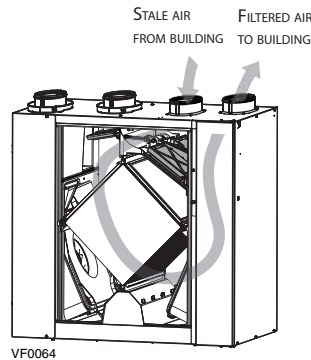
For more details about the control, refer to the User Guide - Main and auxiliary wall controls available at [www.vanee.ca](http://www.vanee.ca).

**Options**

HEPA Filter 21996

Additional 0.3 in. w.g. static pressure at highest speed to be considered. Refer to the HEPA filter instructions for more details.

**Homeshield™ Defrosting System**



The G3000E ECM uses a unique defrosting method. No negative pressure is created by air exhausted to the outdoors, as the air is recirculated into the house, helping to prevent any backdraft.

With the help of the Gold-Touch wall control, this unit allows 3 defrost modes:

- Standard (factory set regular mode)
- Plus (extended defrost for colder areas)
- Discretion (keeps the same speed when performing defrost as performing ventilation)

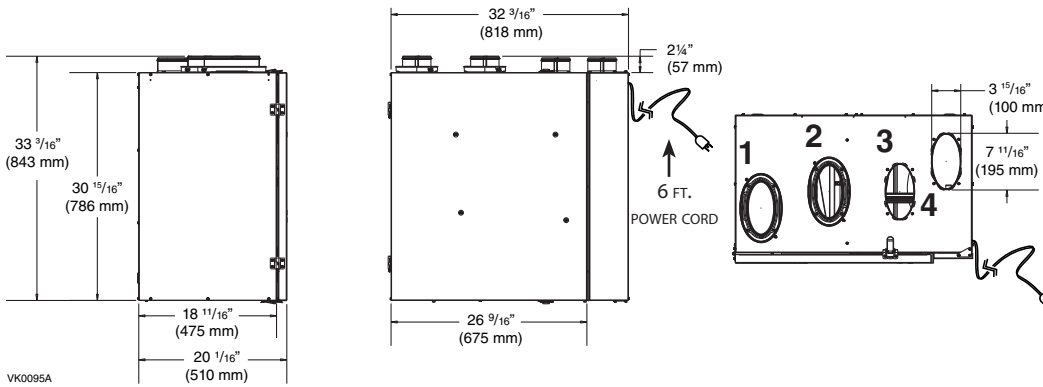
OUTDOORS TEMPERATURE*		DEFROST IN MINUTES / AIR EXCHANGE IN MINUTES					
		STANDARD		DISCRETION		PLUS	
°C	°F	CONTINUOUS MODE	TURBO FUNCTION	CONTINUOUS MODE	TURBO FUNCTION	CONTINUOUS MODE	TURBO FUNCTION
-27 and less	-17 and less	10/25	10/20	18/25	18/20	15/20	15/15
-20 to -27	-4 to -17	8/28	8/23	16/28	16/23	12/20	12/15
-15 to -20	5 to -4	8/35	8/30	16/35	16/30	10/25	10/20
-10 to -15	14 to 5	8/45	8/40	16/45	16/40	10/30	10/25
WARMER THAN -10	WARMER THAN 14	NO DEFROST					

\*Outdoor temperature is read by a thermistor located inside the unit, next to fresh air from outside port.

**Requirements and standards**

- Complies with the UL 1812 requirements regulating the installation of Energy Recovery Ventilators
- Complies with the CSA C22.2 no. 113 Standard applicable to ventilators
- Complies with CSA C444 requirements regulating the installation of Energy Recovery Ventilators
- Technical data was obtained from published results of tests relating to CSA C439 Standards
- HVI certified and ENERGY STAR® qualified

## DIMENSIONS: G3000E ECM



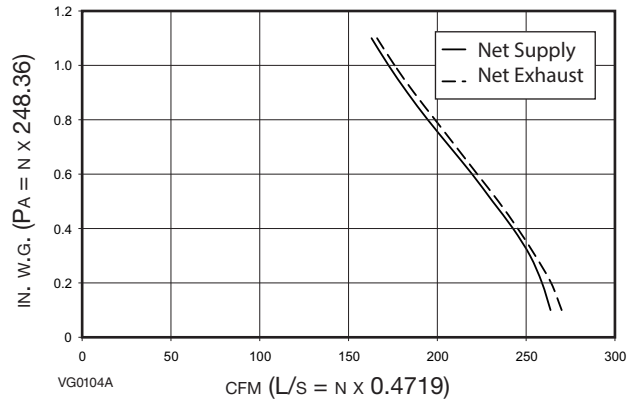
NOTE: ALL UNITS PORTS WERE CREATED TO BE CONNECTED TO DUCTS HAVING A MINIMUM OF 6" DIAMETER, BUT IF NEED BE, THEY CAN BE CONNECTED TO BIGGER SIZED DUCTS BY USING AN APPROPRIATE TRANSITION (E.G.: 6" DIAMETER TO 7" DIAMETER TRANSITION).

- 1: EXHAUST AIR TO OUTDOORS PORT
- 2: FRESH AIR FROM OUTDOORS PORT
- 3: EXHAUST AIR FROM BUILDING PORT
- 4: FRESH AIR TO BUILDING PORT

## VENTILATION PERFORMANCE

EXTERNAL STATIC PRESSURE	NET SUPPLY AIR FLOW		GROSS AIR FLOW							
			SUPPLY			EXHAUST				
PA	IN. W.G.	L/S	CFM	M <sup>3</sup> /H	L/S	CFM	M <sup>3</sup> /H	L/S	CFM	M <sup>3</sup> /H
25	0.1	125	264	448	126	268	455	128	270	459
50	0.2	122	259	440	124	263	447	125	264	448
75	0.3	119	252	428	121	255	433	121	255	433
100	0.4	115	243	413	116	246	418	116	246	418
125	0.5	109	231	392	111	235	399	111	235	399
150	0.6	104	220	374	105	223	379	105	223	379
175	0.7	98	207	352	99	210	357	100	211	358
200	0.8	92	195	331	93	198	336	94	199	338
225	0.9	87	183	311	88	186	316	88	187	318
250	1.0	82	173	294	82	175	297	83	176	299
275	1.1	77	163	277	78	166	282	78	166	282

## FAN CURVES ACCORDING TO SPEED



## ENERGY PERFORMANCE

SUPPLY TEMPERATURE		NET AIR FLOW			POWER CONSUMED WATTS	SENSIBLE RECOVERY EFFICIENCY	APPARENT SENSIBLE EFFECTIVENESS	LATENT RECOVERY/MOISTURE TRANSFER
°C	°F	L/S	CFM	M <sup>3</sup> /H				
HEATING								
0	32	30	64	109	18	75	80	62
0	32	55	117	199	31	72	77	52
0	32	80	170	289	67	68	74	46
-25	-13	30	64	109	29	65	82	65
-25	-13	52	110	187	49	60	79	53
35	95	30	63	107	18	65*	76	63
35	95	70	149	253	55	55*	70	45

FULLY ADJUSTABLE SPEED RANGE FROM 50 CFM TO MAXIMUM SPEED.

\* Indicates total recovery efficiency, not sensible recovery efficiency  
NOTE: All specifications are subject to change without notice.

## SPECIFICATIONS

- Model: G3000E ECM
- Part Number: G3000EE
- Total Assembled Weight (including polymerized paper core): 96 lb. (44 kg)
- Oval shaped ports; fit 6" round ducts
- Drains: Optional
- Core Filters: 2 washable Merv 6 filters
- Housing: Pre-painted steel
- Optional HEPA Filter
- Insulation: Expanded polystyrene
- Mounting: Suspension by chains and springs or wall bracket system
- Supply and Exhaust Blower Motors:
  - 2 German-made ECM motors
  - Protection type: Thermally protected
- Gold-Touch wall control offering 5 manual modes: Recirculation, 20 MIN/H, Continuous Smart and Turbo
- Energy Recovery Core:
  - Dimensions: 12" X 12" X 16.6" (30.5 cm X 30.5 cm X 42.2 cm)
  - Exchange surface: 168 ft.<sup>2</sup> (15.6 m<sup>2</sup>)
  - Weight: 14 lb. (6.4 kg)
  - Type: Cross flow
  - Material: Polymerized paper
  - Warranty: 10 years
- Unit Electrical Characteristics:
 

Volts	Frequency	Amps	Watts
120	60 Hz	2.2	135

Project:	REMARKS
Location:	
Part no.: G3000EE	
Qty.:	
Submitted by:	Date:



Residential Products Group, 550 Lemire Blvd., Drummondville, Qc, Canada J2C 7W9 - Tel.: 1-800-567-3855 Fax: 1-800-567-1715



www.vanee.ca

G3000ECMd180306