

HRV 60H

Part no. 41602 (TOP PORTS)

Part no. 41600 (SIDE PORTS)

39 to 98 CFM (0.4 in. w.g.)



VB0072

AN INGENIOUS AIR EXCHANGE SOLUTION THAT'S AS VERSATILE AS IT IS COMPACT!

Configured with factory built vertical or horizontal ports, the vane HRV 60H is the most versatile 98-cfm unit available on the market today. Among its exclusive features, this unit is equipped with integrated balancing and backdraft dampers in its exhaust to outside and fresh air supply ports.

Its operation can be interlocked with an existing furnace without adding an extra relay. Also, for more convenience, its latches can be relocated on its front (as shown on unit picture). This compact, lightweight and powerful unit is the ideal choice for small single-family homes, high rise residential building and other limited space applications. What's more, it is the only air exchanger of its size that can be upgraded from an HRV to an ERV, simply by changing its core.

- Versatile horizontal or vertical port configuration
- Removable terminal block to ease auxiliary wall control connections
- Integrated pressure taps, if balancing required by building code
- Twin high-pressure blowers
- ENERGY STAR® qualified

REPAIRS AND MAINTENANCE

All parts of the vane HRV 60H that could need maintenance can be removed in less than 5 minutes, allowing direct access for easy repairs. The PSC motors are permanently lubricated. Finally, the removable electrical drawer with pull-out PCB assembly allows easy access for maintenance of major sub-components.

WARRANTY

The vane HRV 60H is protected by a 2-year warranty on parts only. The heat recovery core is covered by a limited lifetime warranty, with the original proof of purchase.

Available at:

HEAT RECOVERY VENTILATOR

Controls

- This unit is very simple to operate. Once it is installed, press on its push button, located on the bottom of the unit, to activate it. Press once for low speed, once again for high speed, and once more to stop it.
- For more convenience, this unit can also be controlled by an optional main control. For a complete list of optional main and auxiliary controls available, refer to the **Wall Control Compatibility Chart** on last pages of wall controls specification sheet, available at www.vanee.ca.
- For more details about controls, refer to the **Main and auxiliary wall controls** user guide, also available at www.vanee.ca.

Options

- Complete line of registers and diffusers
- Electric duct heater
- Dual exterior hood kit (including the Tandem® transition), part no. 14690

Homeshield™ Defrosting System

The vane HRV 60H uses a unique defrosting method. No negative pressure is created by air exhausted to the outside, as the air is recirculated into the house, helping to prevent any backdraft.

STALE AIR FROM BUILDING	OUTSIDE TEMPERATURE		DEFROST CYCLE (IN MINUTES)
	°C	°F	
FILTERED AIR TO BUILDING	WARMER THAN -5	WARMER THAN 23	NO DEFROST
	-5 TO -27	23 TO -17	8/25
	-27 & LESS	-17 & LESS	10/22

Heat Recovery Core

Dimensions: 13" x 19" x 6 7/8" (33 cm x 48.3 cm x 17.3 cm)

Exchange surface: 55 ft.² (5.1 m²)

Weight: 3.75 lb. (1.7 kg)

Material: Polypropylene

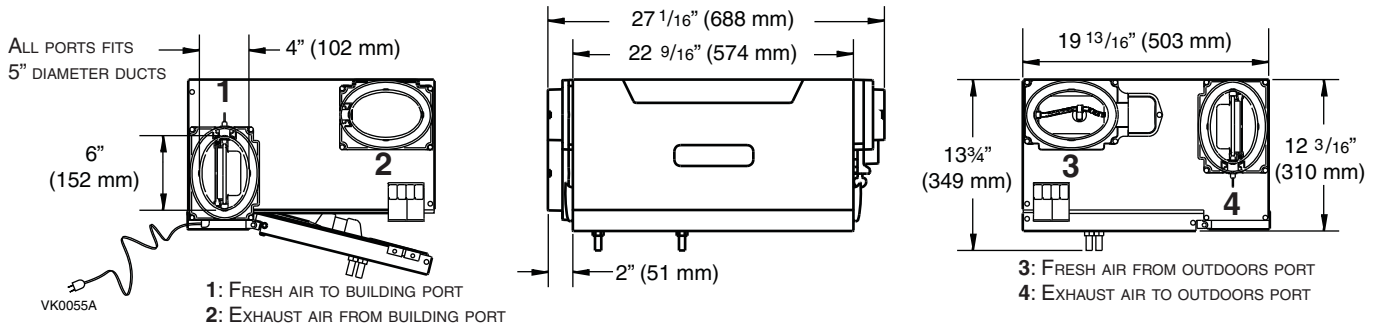
Type: Cross flow

Warranty: Limited lifetime

Requirements and standards

- Complies with the UL 1812 requirements regulating the installation of Heat Recovery Ventilators
- Complies with the CSA C22.2 no. 113 Standard applicable to ventilators
- Complies with CSA C444 requirements regulating the installation of Heat Recovery Ventilators
- Technical data was obtained from published results of tests relating to CSA C439 Standards
- HVI certified and ENERGY STAR® qualified

DIMENSIONS: VÄNEE HRV 60H (PORTS ON SIDES)



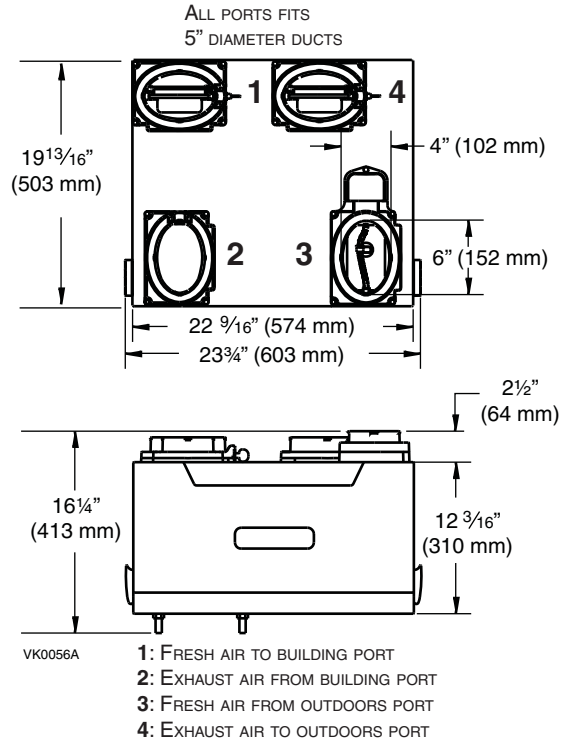
VENTILATION PERFORMANCE

EXTERNAL STATIC PRESSURE		NET SUPPLY AIR FLOW			GROSS AIR FLOW					
					SUPPLY			EXHAUST		
PA	IN. W.G.	L/S	CFM	M ³ /H	L/S	CFM	M ³ /H	L/S	CFM	M ³ /H
25	0.1	53	111	191	53	112	190	57	120	204
50	0.2	51	107	184	51	108	184	54	114	194
75	0.3	48	101	172	48	102	173	52	110	187
100	0.4	46	98	167	47	99	168	49	105	178
125	0.5	43	91	155	43	92	156	47	100	170
150	0.6	41	88	148	42	88	151	45	96	163
175	0.7	39	82	139	39	83	141	43	91	155
200	0.8	37	79	134	38	80	136	40	85	144
225	0.9	34	73	124	35	74	126	37	79	134
250	1.0	34	71	121	34	72	122	36	76	129

ENERGY PERFORMANCE

SUPPLY TEMPERATURE		NET AIR FLOW			POWER CONSUMED	SENSIBLE RECOVERY	APPARENT SENSIBLE	LATENT RECOVERY/
					WATTS	EFFICIENCY	EFFECTIVENESS	MOISTURE TRANSFER
°C	°F	L/s	CFM	M ³ /H				
HEATING								
0	32	23	50	85	43	65	74	0.01
0	32	30	64	109	58	62	70	0.01
0	32	39	83	141	70	59	66	0.01
-25	-13	23	48	82	56	60	78	0.01
-25	-13	30	64	109	64	55	72	0
COOLING					TOTAL RECOVERY EFFICIENCY			
35	95	-	-	-	-	NOT TESTED		

VÄNEE HRV 60H (PORTS ON TOP)



NOTE: All specifications are subject to change without notice.

SPECIFICATIONS

- Model: HRV 60H
- Part number top ports: 41602
- Part number side ports: 41600
- Total assembled weight (including polypropylene core): 42 lb. (19 kg)
- Oval shaped ports; fit 5" diameter ducts
- Drain: 1/2" (1.2 cm) fittings with 10 ft. (3 m) PVC drain hose
- Core filters: 30 ppi washable foam 10.5" x 6.75" x 0.5" (26.7 cm x 17.2 cm x 1.3 cm)
- Housing: Pre-painted steel
- Insulation: Expanded polystyrene
- Mounting: Suspension by chains and springs
- Supply and exhaust blower motor: 2 motors
 - Protection type: Thermally protected
 - Insulation class: B
- Speed control on unit: Low & high speeds. Other modes available with main and optional wall controls
- Heat recovery core:
 - Heat exchange surface area: 55 ft.² (5.1 m²)
 - Type/Material: Crossflow/Polypropylene
- Unit electrical characteristics:

Volts	Frequency	Ampere	Watts
120	60 Hz	1	120

Project:	REMARKS
Location:	
Part no.:	
Qty.:	
Submitted by:	Date:



550 Lemire Blvd., Drummondville, Qc, Canada J2C 7W9 - Tel.: 1-800-567-3855 Fax: 1-800-567-1715



www.vanee.ca

15/02 PRODUCT SHEET NO. 91049